

## AW162S 16 Bottle Wine Cooler

### IMPORTANT SAFEGUARDS

When using this appliance, always exercise basic safety precautions, including the following:

1. Read all of the instructions before using this appliance.
2. This wine cooler must be set onto leveled surface.
3. Never unplug your wine cooler by pulling on the power cord. Always grasp the plug firmly and pull straight out from the outlet.
4. If the supply cord is damage, it must be replaced by the manufacturer, its service agent or similarly qualified persons in order to avoid a hazard.
5. Unplug your wine cooler before cleaning or before making any repairs.  
Note: If for any reason this product requires service, it shall be performed by the certified technician.
6. If your wine cooler is not being used, we recommend that you remove the door and leave the shelves in place. This will reduce the possibility of danger to children.
7. This wine cooler should not be recessed or built-in an enclosed cabinet. It is designed for freestanding installation only.
8. Do not operate your wine cooler in the presence of explosive fumes.
9. Do not store foods in wine cooler as interior temperature may not be cool enough to prevent spoilage.

### SAVE THESE INSTRUCTIONS

#### DANGER

Risk of child entrapment. Before you throw away your old appliance, take off the doors. Leave the shelves in place so that children may not easily climb inside.

### WARNINGS

Keep ventilation openings in the appliance enclosure, clear of obstruction.

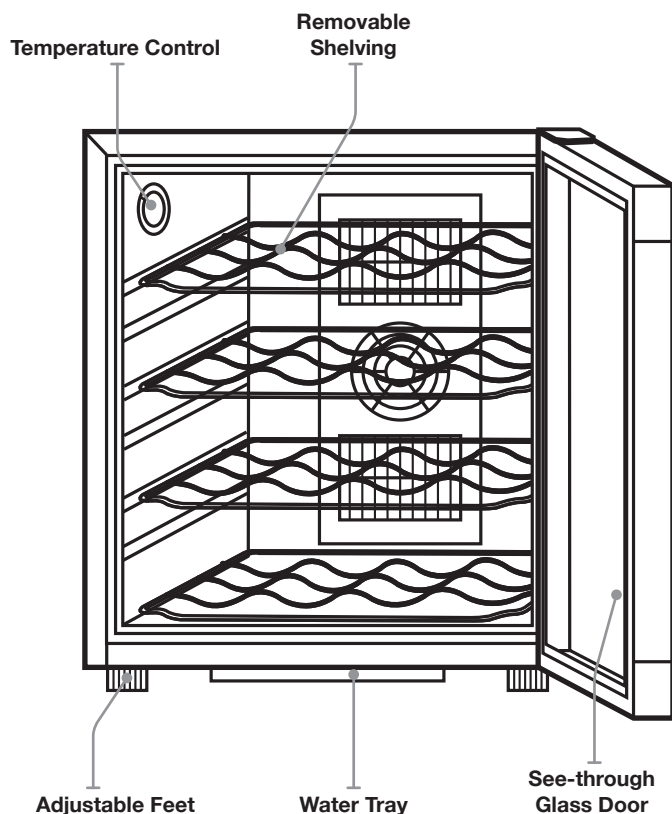
Do not use electrical appliances inside the food storage compartments of the appliance, unless they are of the type recommended by the manufacture.

This appliance is not intended for use by persons (including children) with reduced physical, sensory or mental capabilities, or lack of experience and knowledge, unless they have been given supervision or instruction concerning use of the appliance by a person responsible for their safety.

Children should be supervised to ensure that they do not play with the appliance.

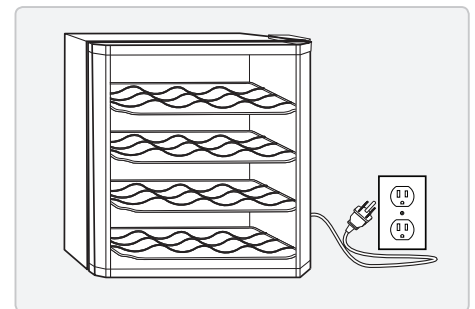
**TO AVOID A HAZARD DUE TO INSTABILITY OF THE APPLIANCE, IT MUST BE FIXED IN ACCORDANCE WITH THE INSTRUCTION.**

## Introduction and Setup



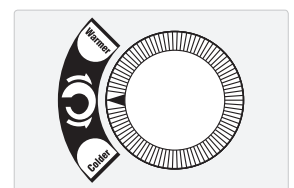
### Powering the Wine Cooler

Plug the attached AC cord into a standard AC power outlet to power the wine cooler.



### Temperature Adjustment

Your wine cooler has rotary temperature control inside the unit's cavity. You can set the temperature of your wine cooler to a warmer or colder temperature as desired. The temperature will range from 50-52°F (10°C) to 66°F (18°C). When initially turned on, the default setting is 50-52°F (10°C).



# Installation

## Placement

### Unpacking your Wine Cooler

1. Remove all packaging material. This includes the base and all adhesive tape holding the accessories inside and outside.
2. Inspect and remove any remains of packing, tape or printed materials before powering on the unit.

### Leveling your Wine Cooler

Your wine cooler has 4 leveling legs. After properly placing your unit in its final position, you can level it.

Install the legs by screwing in the legs into the preset screw holes. (Please note that the leg which stands on the hinge is the shorter leg.)

Leveling legs can be adjusted by turning them clockwise to raise your unit or by turning them counter clockwise to lower it.

### Proper Air Circulation

To assure your unit works at the maximum efficiency it was designed for, you should install it in a location where there is proper air circulation and electrical connections.

The following are recommended clearances around the wine cooler.

Sides ..... 2 inches. (50mm)  
Top ..... 2 inches. (50mm)  
Back ..... 2 inches. (50mm)

Don't over fill your wine cooler for proper internal air circulation.

**NOTE:** Allow enough space in the front of the unit to open the door to 120°.

### Install Limitations

Do not install your unit in any location not properly insulated or heated. e.g. garage, etc.

Select a suitable location for the unit on a hard even surface away from direct sunlight or heat source, e.g. radiators, baseboard heaters, cooking appliances etc. Any surface unevenness should be corrected with the leveling legs located on the front and rear bottom corners of the wine cooler. Avoid placing unit where there may be electrical interference.

Your unit is designed for free-standing installation only. It is not designed for built-in application.

**NOTE:** To minimize the risk of rusting, leakage and insulation damage, avoid placing the unit in a place where heavy moisture is present. Under no circumstances spill or directly apply water onto or into the unit.

## Installing Water Tray

The purpose of the water tray is to receive the condensed water drained from the cavity. The collected water will be self-evaporated so there is no need to remove the water manually.

To install the water tray, simply slide in the tray along the track located on the back of the unit beneath the cabinet.

# Cleaning and Maintenance

## Cleaning the Wine Cooler

**Warning:** To avoid electric shock always unplug your unit before cleaning. Ignoring this warning may result in death or injury.

**Caution:** Before using cleaning products, always read and follow manufacturer's instructions and warnings to avoid personal injury or product damage.

**General:** Prepare a cleaning solution of 3-4 tablespoons of baking soda mixed with warm water. Use sponge or soft cloth, dampened with the cleaning solution, to wipe down your unit.

Rinse with clean warm water and dry with a soft cloth. Do not use harsh chemicals, abrasives, ammonia, chlorine bleach, concentrated detergents, solvents or metal scouring pads. SOME of these chemicals may dissolve damage and/or discolor your unit.

## Power Interruptions

Occasionally there may be power interruptions due to thunderstorms or other causes. Remove the power cord from AC outlet when a power outage occurs. When power has been restored, re-plug power cord to AC outlet.

## Vacation and Moving Care

For long vacations or absences, unplug the unit, empty contents from unit, and clean the unit and door gaskets according to "General Cleaning" section. Prop doors open, so air can circulate inside. When moving always move the unit vertically. Do not move the unit lying on its side.

# Troubleshooting

### Wine Cooler does not operate:

Check if unit is plugged in.  
Check if there is power at the AC outlet, by checking the circuit breaker.

### Wine appears too warm:

Frequent door openings.  
Allow time for recently added wine to reach desired temperature.  
Check gaskets for proper seal.  
Adjust temperature control to colder setting.

### Wine temperature is too cold:

If temperature control setting is too cold, adjust to a warmer setting.

### Wine Cooler runs too frequently:

This may be normal to maintain constant temperature during high temperature and humid days.  
Door may have been opened frequently or for an extended period of time.  
Check gasket for proper seal.  
Check to see if the door is completely closed.

### Moisture build up on interior or exterior of the wine cooler:

This is normal during high humidity periods.  
Prolonged or frequent door openings.  
Check door gaskets for proper seal.

### Wine Cooler door does not shut properly:

Level the wine cooler. Check for blockages, e.g. wine bottles, shelves.

This appliance is not intended for use by persons (including children) with reduced physical, sensory or mental capabilities, or lack of experience and knowledge, unless they have been given supervision or instruction concerning use of the appliance by a person responsible for their safety. Children should be supervised to ensure that they do not play with the appliance.

## International Support

To download this User's Guide in English, Spanish, or French, or to get answers to frequently asked questions, visit the support section at:

[www.culinairebydpi.com](http://www.culinairebydpi.com)

Para descargar este Manual del Usuario en inglés, español y francés, o para obtener respuestas a preguntas frecuentes, visite la sección de apoyo en

[www.culinairebydpi.com](http://www.culinairebydpi.com)

Pour télécharger ce guide de l'utilisateur en anglais, espagnol ou français, ou pour obtenir des réponses à des questions fréquemment posées, consultez la rubrique d'assistance sur

[www.culinairebydpi.com](http://www.culinairebydpi.com)